

The fully integrated longitudinal strapping for BOBST SPEEDPACK

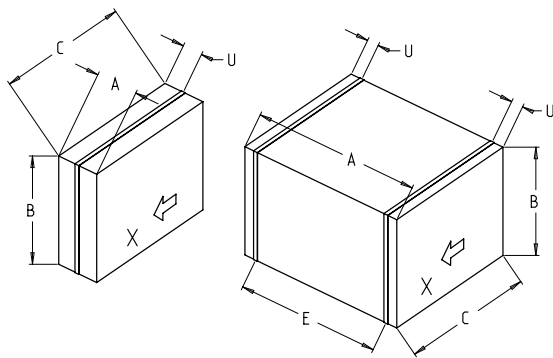
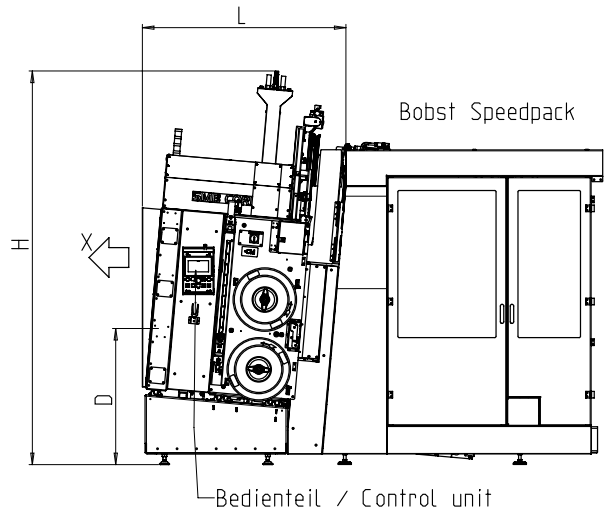
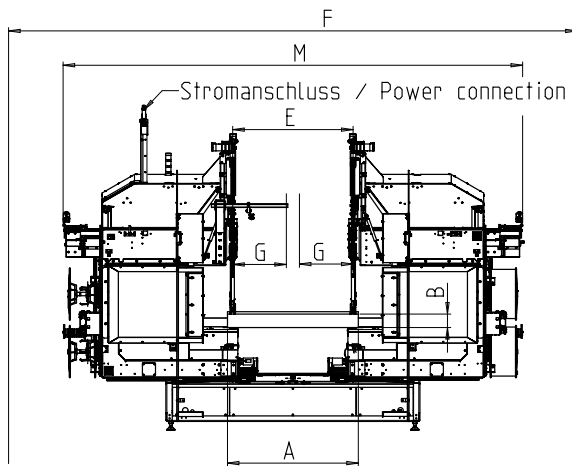


- Automatic data transfer from BOBST SPEEDPACK
- Damage-free bundling thanks to soft straps and product-dependent strap tension
- Variable strapping width 5-15mm, conversion approx. 15 minutes, optional
- ASC - Twin coil with Automatic Strap Change

## EQUIPMENT:

- 5000 bundle recipes
- Torque controlled strap tension, adjustable
- Upstream and downstream interlocks
- Conveyor speed steplessly adjustable
- GreenTech energy concept, low power consumption
- Minimum strapping distance to the package side edge => optimal for 4-point boxes
- Bundle press
- SMART TOUCH 4.0 – Icon control concept
- Table height steplessly adjustable
- Low maintenance and low wear technology
- Preparation for network access and remote maintenance access via VPN
- 2 strapping units

# SMB CORIN-SP



X = Paket-Durchlaufrichtung / bundle flow  
alle Maße in mm / dimensions in mm

Machine width	M	3220-4220
Total length	L	1530
Total height	H	3000
Table height	D	1030
bundle width (1x strapped)	A	150-1300
bundle width (2x strapped)	A	215-1300
max. bundle height	B	400
Bundle length	C	150-1050
Distance between straps (2x strapped)	E	155-1110
Moving path	G	-120 .. 477
Additional space needed	F	5200
Strap distance to outer edge	U	30

## TECHNICAL SPECIFICATION:

### CAPACITY:

Bundles/minute: 30  
Based on bundle size l x w x h in mm: 210 x 300 x 100

### BUNDLES:

(see drawing)  
Weight in kg: max. 30

### TRANSPORT SPEED:

m/s: 0,40 - 2,00

### STRAP TENSION:

Steplessly adjustable

### STRAPPING MATERIAL:

Polypropylene DIN EN 13 394  
Width in mm: 5 - 15  
Thickness in mm: 0,25 - 0,55

### SEALING METHOD:

Heat seal. Tensile strength of welded joint is approx. 80% of the breaking strength of the strap

### STRAP COIL:

Core ID in mm: 200  
Core OD in mm: 420  
Width in mm: 190 (160,180,200)  
Other coil sizes on request

### POWER SUPPLY:

Wide Range Input 380-520V, 3AC; 47 63 Hz  
Maximum fusing 16A (B-character)

### POWER CONSUMPTION:

Power consumption in kW approx.: 0,8

### WEIGHT:

Total weight approx. in kg: 1800

### OPERATING CONDITIONS:

Temperature range in °C [°F]: +5 [41] - +45 [113]



A SIGNODE BRAND

## Signode Packaging Systems GmbH

Markgrafenstraße 2 | D-95497 Goldkronach | Germany  
Tel.: +49 (0) 9273 / 982-201 | Fax.: +49 (0) 9273 / 982-100  
www.smb.biz | sales@smb.biz

