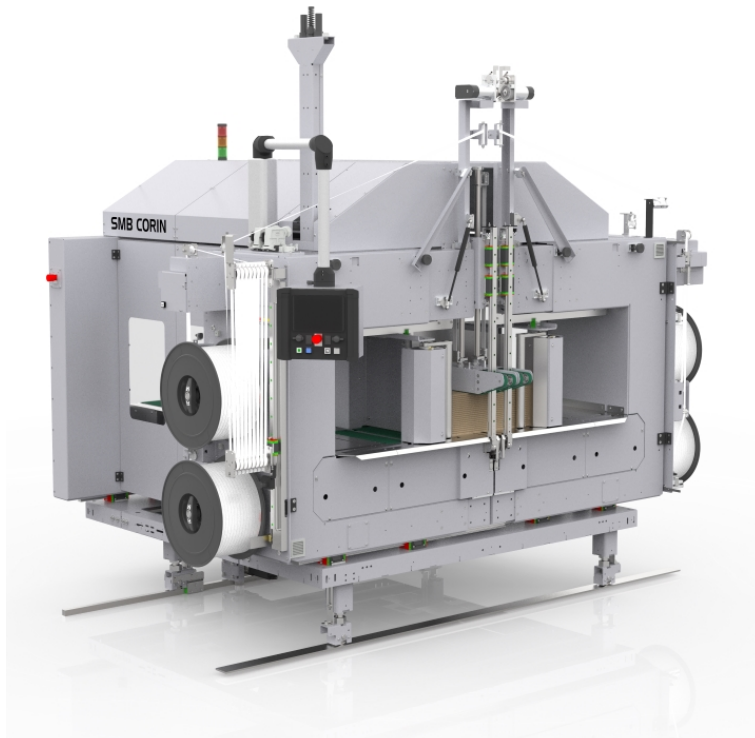


The most variable longitudinal strapping for the corrugated board industry

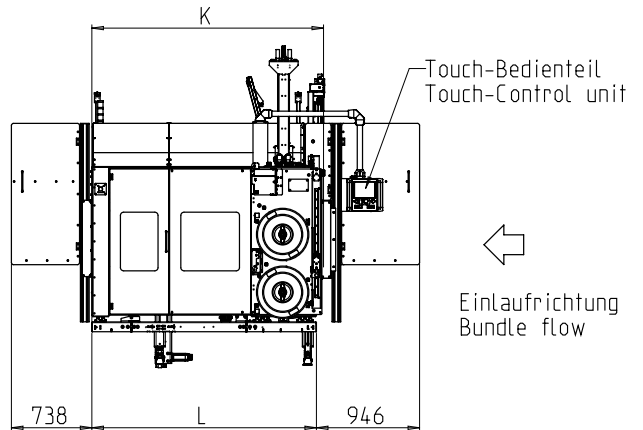
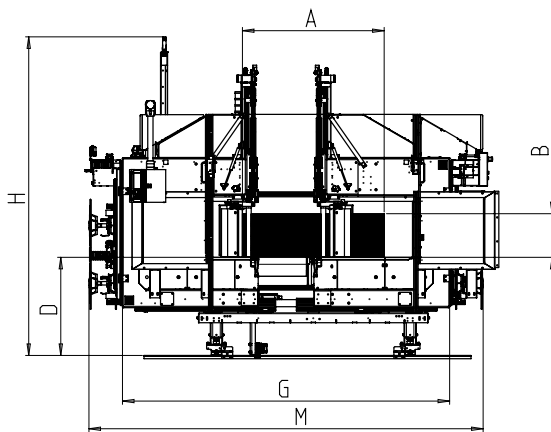


- Format change in less than 2 minutes
- Robust and extremely low maintenance
- Variable strap width
- Twin Coil System
- Optimal bundle guide - "6-side-control"

EQUIPMENT:

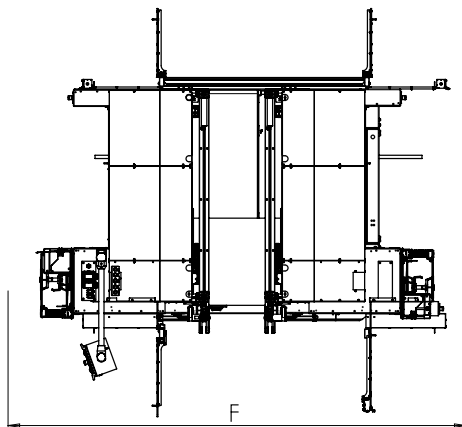
- 5000 bundle recipes
- Automatic Strap feed
- Strap width 5 - 15 mm
- Strap width 5 - 12 mm, either
- Torque controlled strap tension, adjustable
- Upstream and downstream interlocks
- Conveyor speed steplessly adjustable
- GreenTech energy concept, low power consumption
- Bundle stops, optional
- Bundle press
- SMART TOUCH – Icon control concept
- Table height steplessly adjustable
- Bundle flow control
- Wear-free, energy saving direct-drive-motors
- Low maintenance and low wear strap arch
- Quality standard equipment
- Many specific options available, easily configurable

SMB CORIN



Maße in mm

Abbildungen zeigen Optionen
Figures show options



ohne Quer-Verstellung auf dem Gleis
without cross adjustment on the rail

Arch Size WxH	mm	1300	1600	2000
Order number		x47000	x58172	tbd
Total height	H	2700-3230	2700-3230	2700-3230
Table height	D	670-1200	670-1200	670-1200
bundle width	A	1300	1600	2000
max. bundle width	A	1600	1900	2300
max. bundle height	B	400	400	400
Additional space needed	F	4800	5400	6200
Length frame	L	2060	2060	2060
Width, coil on C-frame	M	4150	4750	5550
MaWidth, coil between C-frame	G	3600	4200	5000
Installation length (without protection)	K	2125	2125	2125

TECHNICAL SPECIFICATION:

CAPACITY:

Single strap, bundles/minute up to: max. 36
At table belt speed in m/s: 2
Based on bundle size l x w x h in mm: 300 x 210 x 150
Depending on arch size and tension force

BUNDLES:

Length in mm: min. 170
Height in mm: 20 - 400
Weight in kg: max. 30

TRANSPORT SPEED:

m/s: 0,40 - 2,00

STRAP TENSION:

Steplessly adjustable
Tension at bundle in N: max. 325

STRAPPING MATERIAL:

Polypropylene DIN EN 13 394
Width in mm: 5 - 15
Thickness in mm: 0,3 - 0,65

SEALING METHOD:

Heat seal. Tensile strength of welded joint is approx. 80% of the breaking strength of the strap

STRAP COIL:

Core ID in mm: 200
Core OD in mm: 420
Width in mm: 190 (160,180,200)
Other coil sizes on request

POWER SUPPLY:

Wide Range Input 380-520V, 3AC; 47 63 Hz
Maximum fusing 16A (B-character)
Protection Type: IP 54

POWER CONSUMPTION:

Power consumption in kW approx.: 0,98

WEIGHT:

Total weight approx. in kg: 1200

OPERATING CONDITIONS:

Temperature range in °C [°F]: +5 [41] - +45 [113]



A SIGNODE BRAND

Signode Packaging Systems GmbH

Markgrafenstraße 2 | D-95497 Goldkronach | Germany
Tel.: +49 (0) 9273 / 982-201 | Fax.: +49 (0) 9273 / 982-100
www.smb.biz | sales@smb.biz

