



The universal bundle turning device

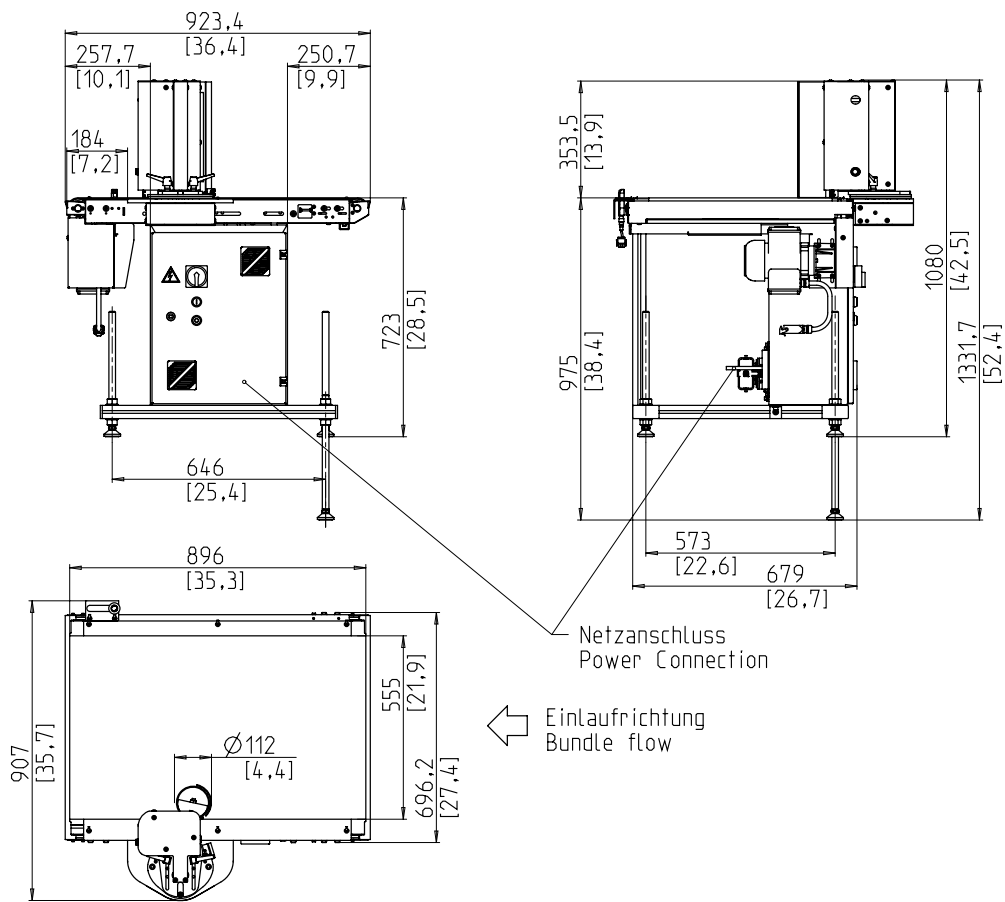


- Soft turn of the bundles
- Low maintenance
- Optimal access
- Very quiet operation
- Intrinsically safe machine, protection door-less concept

## EQUIPMENT:

- Bypass without bundle turning, manually
- Upstream and downstream interlocks with complete plug connection
- In conveying direction left or either right
- Power cable, length 3m
- OPTIONAL: Bypass without bundle turning, automatically
- OPTIONAL: One pop-out roller on entry side
- OPTIONAL: Machine movable
- Table height steplessly adjustable
- Many specific options available, easily configurable

# SMB TB2



## TECHNICAL SPECIFICATION:

### CAPACITY:

Bundles/minute:	max. 60
At table belt speed in m/s:	1

### BUNDLES:

Width in mm:	150 - 450
Length in mm:	150 - 450
Height in mm:	10 - 350
Max. bundle height smaller than bundle width	
Weight in kg:	max. 25

### TRANSPORT SPEED:

m/s:	0,4 - 1,1
------	-----------

### POWER SUPPLY:

Voltage 1 phase with neutral or 2 phase at: 198V, 208V, 218V, 220V, 230V, 240V, 390V, 400V, 410V, 440V, 450V, 460V, 480V, 490V, 500V  
Special voltages available on request  
TN and TT network

### POWER CONSUMPTION:

Power consumption in kW approx.:	0,3
----------------------------------	-----

### WEIGHT:

Total weight approx. in kg:	146
-----------------------------	-----

### OPERATING CONDITIONS:

Temperature range in °C [°F]:	+5 [41] - +45 [113]
-------------------------------	---------------------



**Signode Packaging Systems GmbH**

Markgrafenstraße 2 | D-95497 Goldkronach | Germany  
Tel.: +49 (0) 9273 / 982-201 | Fax.: +49 (0) 9273 / 982-100  
www.smb.biz | sales@smb.biz

