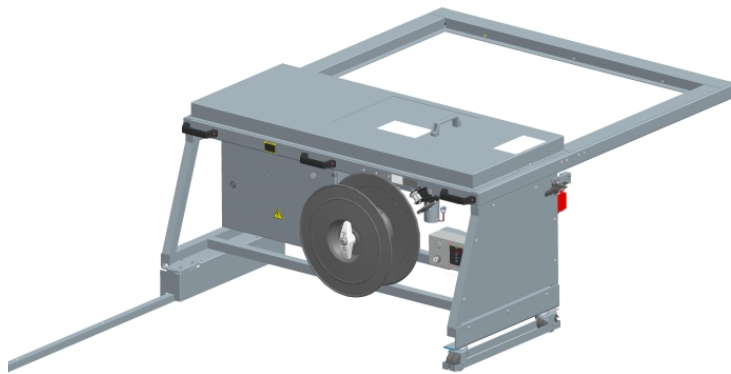


The flexible strapping machine

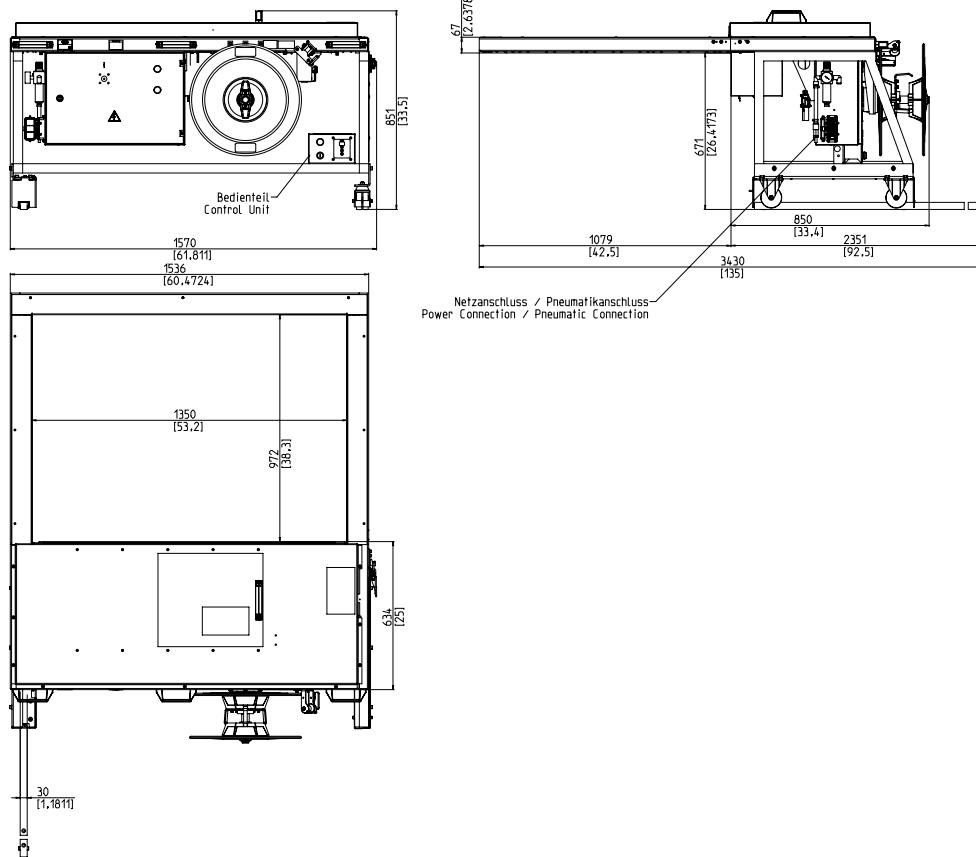


- User-friendly and intuitive
- Economical owing to highest availability
- Robust and extremely low maintenance
- Powerful
- Variable strap width

EQUIPMENT:

- ASLF 'Anti-Strap-Loss-Function' Constant strap control
- Automatic Strap feed
- Strap width 5 - 12 mm, either
- Strap end detection system with automatic discharge of remaining strap
- Automatic strap tensioning (optional)
- Coil outside
- Operation Terminal with Soft-Button
- DAT 'Direct-Access-Technology'
- The exclusive eject function avoids strap jam
- Torque controlled strap tension, adjustable
- GreenTech energy concept, low power consumption
- Machine movable
- Wear-free, energy saving direct-drive-motors
- Low maintenance and low wear strap arch

SMB NEO-H



TECHNICAL SPECIFICATION:

CAPACITY:

Single strap, bundles/minute up to: 35
Depending on arch size and tension force

BUNDLES:

Width in mm
Min.: 55
Max. bundle width depending on arch size
Height in mm
Min.: 5
Max. bundle height depending on arch size (see drawing)

STRAP TENSION:

Adjustable with 10 steps
Automatic strap tensioning
Tension at bundle in N
Max.: 325

STRAPPING MATERIAL:

Polypropylene DIN EN 13 394
Width in mm: 5 - 12
Thickness in mm: 0,4 - 0,65

SEALING METHOD:

Heat seal. Tensile strength of welded joint is approx. 80% of the breaking strength of the strap

STRAP COIL:

Core ID in mm: 200 - 228
Core OD in mm: 420
Width in mm: 160 - 190

POWER SUPPLY:

Wide Range Input 100-240V, 1AC; 47-63 Hz
Maximum fusing 16A (B-character)
Protection Type: IP 22

POWER CONSUMPTION:

Power consumption in kW approx.: 0,2

PNEUMATICS:

Operating pressure in bar: 6

WEIGHT:

Total weight approx. in kg: 240

OPERATING CONDITIONS:

Temperature range in °C [°F]: +5 [41] - +45 [113]



Signode Packaging Systems GmbH

Markgrafenstraße 2 | D-95497 Goldkronach | Germany
Tel.: +49 (0) 9273 / 982-201 | Fax.: +49 (0) 9273 / 982-100
www.smb.biz | sales@smb.biz

