

The versatile, vertical strapping machine

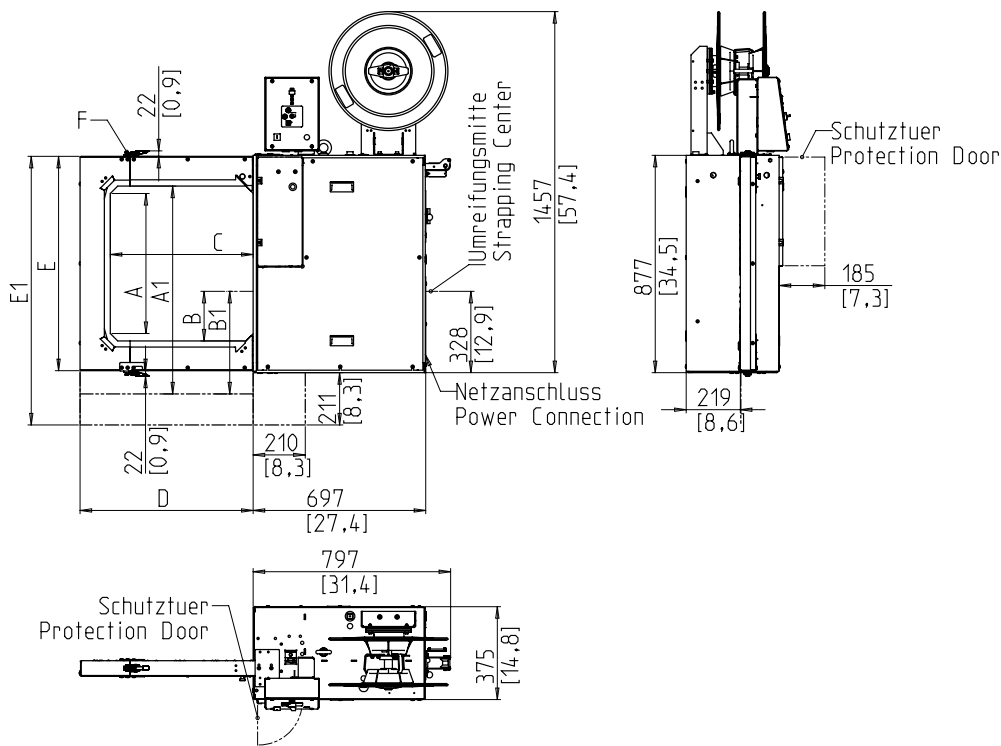


- User-friendly and intuitive
- Economical owing to highest availability
- Robust and extremely low maintenance
- Powerful
- Variable strap width

EQUIPMENT:

- ASLF 'Anti-Strap-Loss-Function' Constant strap control
- Automatic Strap feed
- Strap width 5 - 12 mm, either
- Operation Terminal with Soft-Button
- DAT 'Direct-Access-Technology'
- Torque controlled strap tension, adjustable
- GreenTech energy concept, low power consumption
- Intuitive operator interface
- OPTIONAL: Machine movable
- Wear-free, energy saving direct-drive-motors
- Low maintenance and low wear strap arch
- Many specific options available, easily configurable

SMB MULTI



Arch Size WxH	mm	500 x 550	600 x 600	600 x 800	800 x 600	800 x 800	1000 x 1200
Arch width	C	576	685	685	885	885	1054
Arch height	A/A1	565/-	623/-	822/-	623/-	822/-	-/1241
Position sealing head	B/B1	200/-	200/-	200/-	200/-	200/-	-/414
Weight in kg		160	170	180	180	195	220
Arch width	D	699	808	808	1009	1009	1174
Arch height	E/E1	865/-	924/-	1122/-	924/-	1122/-	-/1492
Separable frame	F	X	X	X	X	X	

TECHNICAL SPECIFICATION:

CAPACITY:

Single strap, bundles/minute up to: 45
Depending on arch size and tension force

BUNDLES:

Width in mm: 5
Min.:
Max. bundle width depending on arch size
Height in mm: 55
Min.:
Max. bundle height depending on arch size (see drawing)

STRAP TENSION:

Adjustable with 10 steps
Automatic strap tensioning
Tension at bundle in N: 325, opt. 600
Max.:

STRAPPING MATERIAL:

Polypropylene DIN EN 13 394
Width in mm: 5 - 12
Thickness in mm: 0,4 - 0,65

SEALING METHOD:

Heat seal. Tensile strength of welded joint is approx. 80% of the breaking strength of the strap

STRAP COIL:

Core ID in mm: 200 - 228
Core OD in mm: 420
Width in mm: 160 - 190
Other coil sizes on request

POWER SUPPLY:

Wide Range Input 100-240V, 1AC; 47-63 Hz
Wide Range Input 380-520V, 3AC; 47 63 Hz
Maximum fusing 16A (B-character)
Protection Type: IP 22

POWER CONSUMPTION:

Power consumption in kW approx.: 0,25

OPERATING CONDITIONS:

Temperature range in °C [°F]: +5 [41] - +45 [113]



A SIGNODE BRAND

Signode Packaging Systems GmbH

Markgrafenstraße 2 | D-95497 Goldkronach | Germany
Tel.: +49 (0) 9273 / 982-201 | Fax.: +49 (0) 9273 / 982-100
www.smb.biz | sales@smb.biz

