

The modulare strap reservoir including coil dispenser

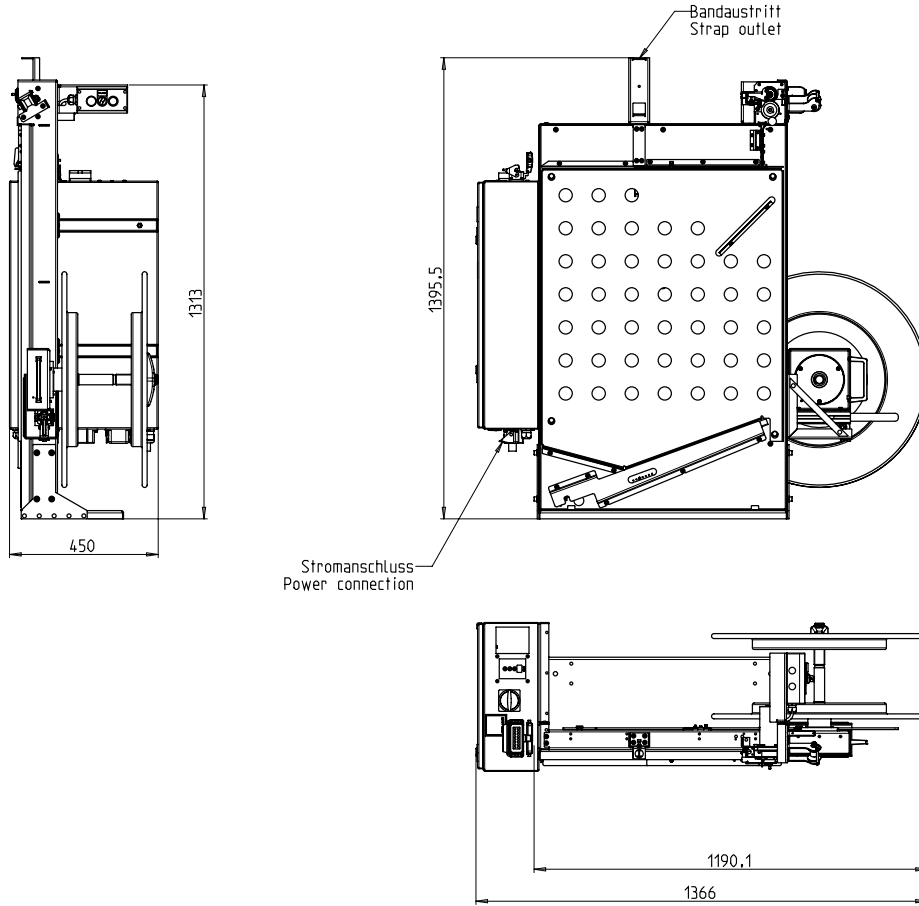


- User-friendly and intuitive
- Economical owing to highest availability
- Robust and extremely low maintenance
- Universal applicable
- Designed for PP and PET strap
- Minimum space requirement

**EQUIPMENT:**

- Automatic Strap feed
- Strap width 12 - 15 mm
- OPTIONAL: Extendable strap coil
- Wear-free, energy saving direct-drive-motors
- Quality standard equipment
- Many specific options available, easily configurable

# SMB MAG



## TECHNICAL SPECIFICATION:

### STRAPPING MATERIAL:

PP and PET Strap DIN EN 13 394

Width in mm: 5 - 15

Thickness in mm: 0,4 - 0,9

### STRAP COIL:

Core ID in mm: 406 (200, 228)

Core OD in mm: 605 (420)

Width in mm: 190 (160-225)

Other coil sizes on request

### POWER SUPPLY:

Wide Range Input 100-240V, 1AC; 47-63 Hz: optional

Wide Range Input 380-520V, 3AC; 47 63 Hz

Maximum fusing 16A (B-character)

Protection Type: IP 22

### POWER CONSUMPTION:

Power consumption in kW approx.: 0,1

### WEIGHT:

Total weight approx. in kg: 95

### OPERATING CONDITIONS:

Temperature range in °C [°F]: 0 [32] - +50 [122]



**Signode Packaging Systems GmbH**

Markgrafenstraße 2 | D-95497 Goldkronach | Germany

Tel.: +49 (0) 9273 / 982-201 | Fax.: +49 (0) 9273 / 982-100

www.smb.biz | sales@smb.biz

