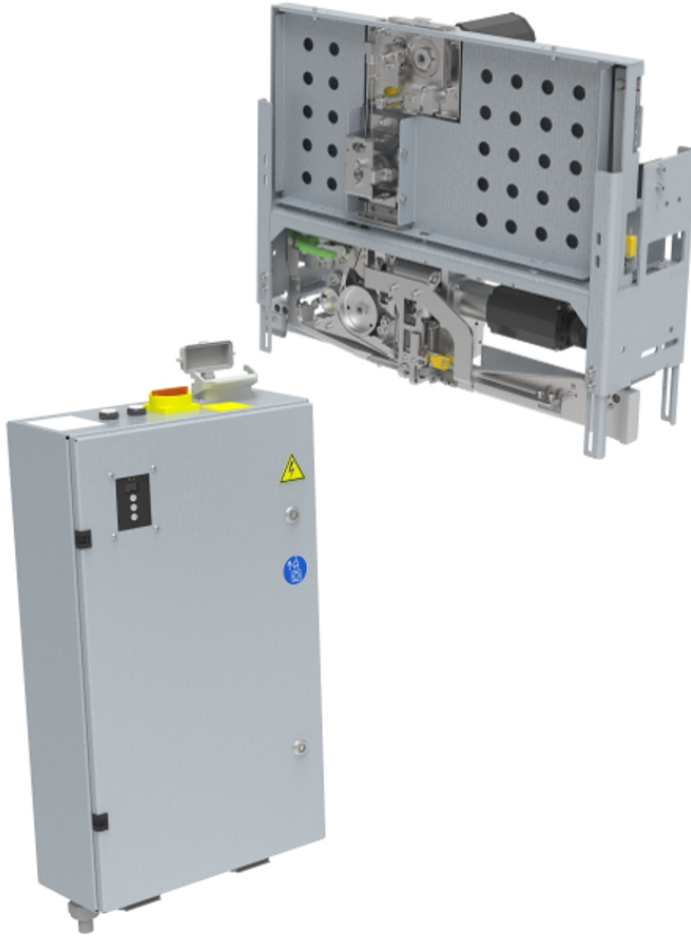




The modular highspeed aggregate up to 15mm bandwidth

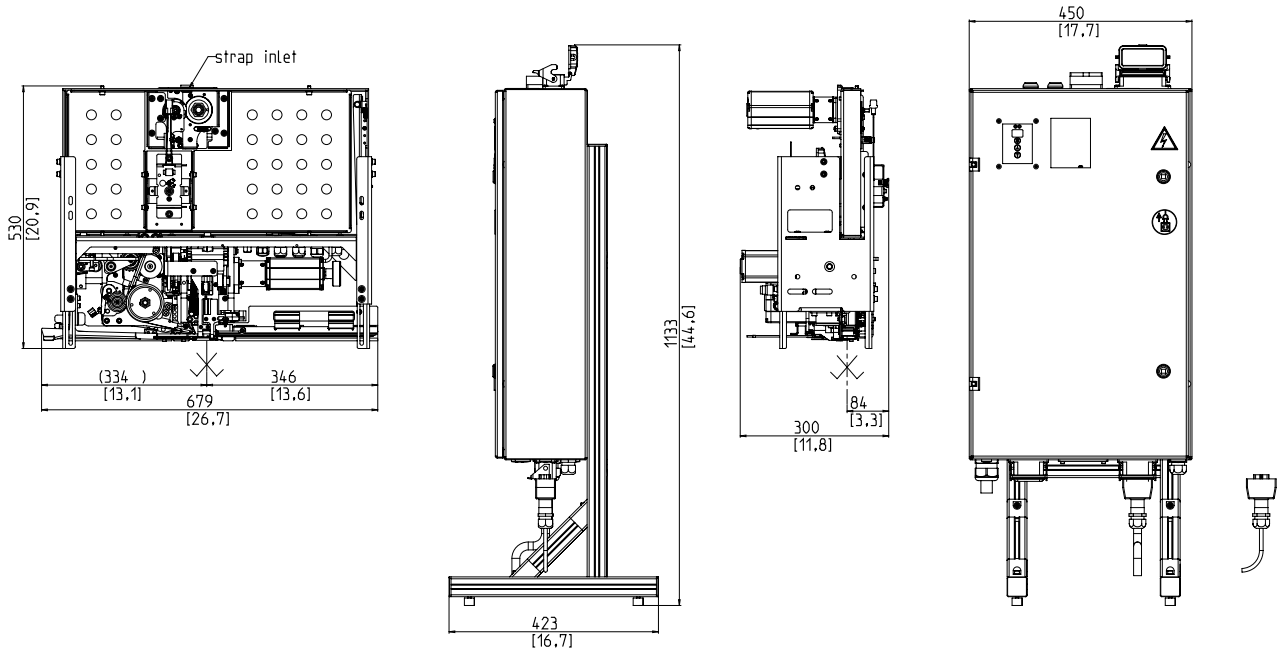


- User-friendly and intuitive
- Economical owing to highest availability
- Robust and extremely low maintenance
- Variable strap width

#### EQUIPMENT:

- ASLF 'Anti-Strap-Loss-Function' Constant strap control
- Automatic Strap feed
- Operation Terminal with Soft-Button
- DAT 'Direct-Access-Technology'
- Torque controlled strap tension, adjustable
- Tension adjustable with 10 steps
- Wear-free, energy saving direct-drive-motors
- Low maintenance and low wear strap arch
- Many specific options available, easily configurable
- Integrated compact reservoir

# SMB MAX



## TECHNICAL SPECIFICATION:

### CAPACITY:

Single strap, bundles/minute up to: 50  
Based on bundle size l x w in mm: 500x550  
Depending on arch size and tension force

### BUNDLES:

Width in mm: min. 55  
Max. bundle width depending on arch size  
Height in mm: min. 80  
Max. bundle height depending on arch size  
(see drawing)

### STRAP TENSION:

Adjustable with 10 steps  
Tension at bundle in N: max. 600

### STRAPPING MATERIAL:

PP and PET Strap DIN EN 13 394  
Width in mm: 12 - 15  
Thickness in mm: 0,4 - 0,9

### SEALING METHOD:

Heat seal. Tensile strength of welded joint is approx. 60 - 80 % of the breaking strength of the strap

### POWER SUPPLY:

Wide Range Input 100-240V, 1AC; 47-63 Hz: optional  
Wide Range Input 380-520V, 3AC; 47 63 Hz  
Maximum fusing 16A (B-character)  
Protection Type: IP 22

### POWER CONSUMPTION:

Power consumption in kW approx.: 0,5

### WEIGHT:

Total weight approx. in kg: 90

### OPERATING CONDITIONS:

Temperature range in °C [°F]: 0 [32] - +50 [122]



**Signode Packaging Systems GmbH**

Markgrafenstraße 2 | D-95497 Goldkronach | Germany  
Tel.: +49 (0) 9273 / 982-201 | Fax.: +49 (0) 9273 / 982-100  
www.smb.biz | sales@smb.biz

