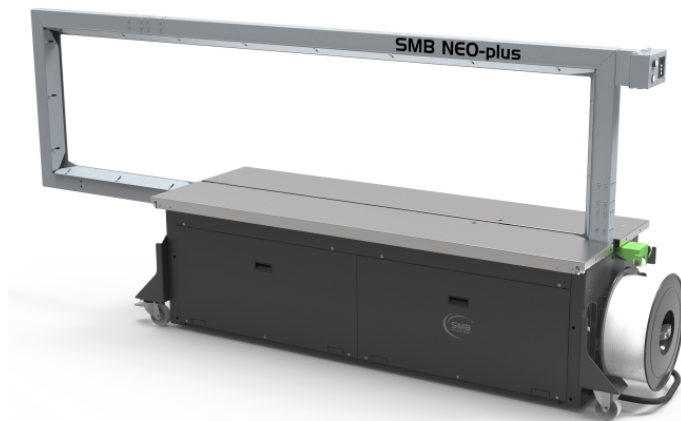


The machine for very wide and high products

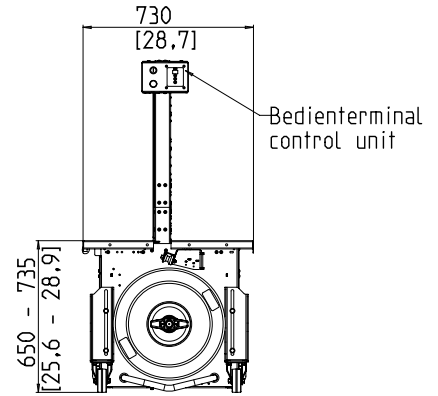
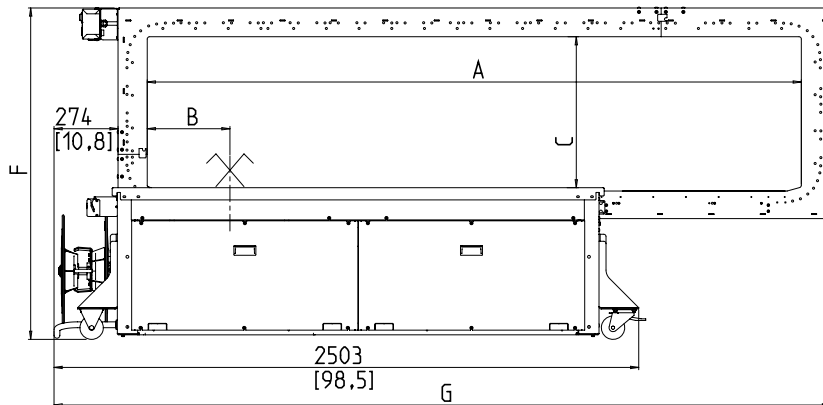


- User-friendly and intuitive
- Economical owing to highest availability
- Robust and extremely low maintenance
- Variable strap width

EQUIPMENT:

- ASLF 'Anti-Strap-Loss-Function' Constant strap control
- Automatic cycle start by tabletop sensor (optional)
- Automatic Strap feed
- Strap width 9 or 12 mm
- Strap end detection system with automatic discharge of remaining strap
- Automatic strap tensioning (optional)
- Coil outside
- Operation Terminal with Soft-Button
- DAT 'Direct-Access-Technology'
- The exclusive eject function avoids strap jam
- Torque controlled strap tension, adjustable
- Machine movable
- MFT 'Mono-Frame-Technology'
- OPTIONAL: Signal exchange for line integration
- Table height steplessly adjustable
- Table top front hinged by 270 °, removable
- Wear-free, energy saving direct-drive-motors
- Low maintenance and low wear strap arch
- Many specific options available, easily configurable

SMB NEO-plus



Maße in mm [inch]
Dimensions in mm [inch]

Arch Size WxH	mm	2250x600	2650x600
Sealing head off-centered		X	X
Machine width	G	2975	3325
Total height	F	1420-1505	1420-1505
Arch width	A	2450	2800
Inner height (arch)	C	640	640
Position sealing head	B	353	353
Weight in kg		325	335
max. bundle width		2250	2650
max. bundle height		600	600

TECHNICAL SPECIFICATION:

CAPACITY:

Single strap, bundles/minute up to: 20
Depending on arch size and tension force

BUNDLES:

Width in mm
Min.: 55
Max. bundle width depending on arch size
Height in mm
Min.: 5
Max. bundle height depending on arch size (see drawing)
Weight in kg
Max.: 50

STRAP TENSION:

Adjustable with 10 steps
Automatic strap tensioning
Tension at bundle in N
Max.: 450

STRAPPING MATERIAL:

Polypropylene DIN EN 13 394
Width in mm: 9 - 12
Thickness in mm: 0,55 - 0,65

SEALING METHOD:

Heat seal. Tensile strength of welded joint is approx. 80% of the breaking strength of the strap

STRAP COIL:

Core ID in mm: 200 - 228
Core OD in mm: 420
Width in mm: 160 - 190

POWER SUPPLY:

Wide Range Input 100-240V, 1AC; 47-63 Hz
Wide Range Input 380-520V, 3AC; 47-63 Hz: optional
Maximum fusing 16A (B-character)
Protection Type: IP 22

POWER CONSUMPTION:

Power consumption in kW approx.: 0,2

OPERATING CONDITIONS:

Temperature range in °C [°F]: +5 [41] - +45 [113]



A SIGNODE BRAND

Signode Packaging Systems GmbH

Markgrafenstraße 2 | D-95497 Goldkronach | Germany
Tel.: +49 (0) 9273 / 982-201 | Fax.: +49 (0) 9273 / 982-100
www.smb.biz | sales@smb.biz



SIGNODE

