

The strapping machine for products made of solid cardboard

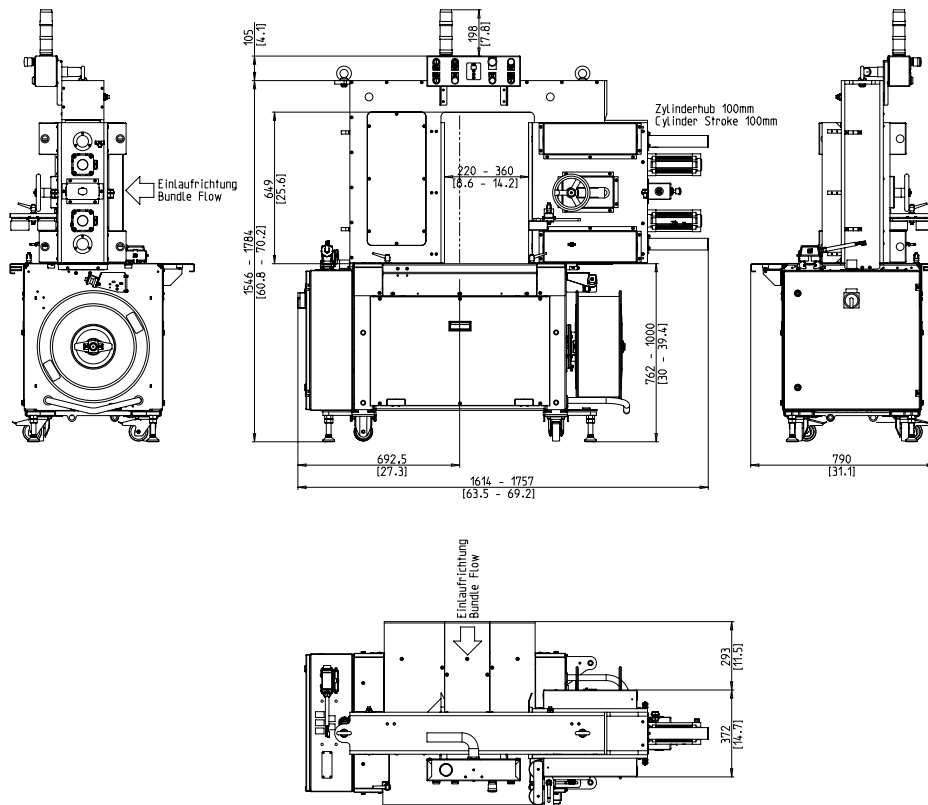


- User-friendly and intuitive
- Economical owing to highest availability
- Robust and extremely low maintenance
- Powerful
- Variable strap width

EQUIPMENT:

- 60 cycles per minute, with High-Speed Kit (optional)
- ASLF 'Anti-Strap-Loss-Function' Constant strap control
- Automatic cycle start by tabletop sensor (optional)
- Automatic Strap feed
- Strap width 5 - 12 mm, either
- Strap end detection system with automatic discharge of remaining strap
- Automatic strap tensioning (optional)
- Coil holder inside (either externally)
- Operation Terminal with Soft-Button
- DAT 'Direct-Access-Technology'
- The exclusive eject function avoids strap jam
- Torque controlled strap tension, adjustable
- Single-Copy-Strap
- Foot-bar at the operator side
- Machine movable
- MFT 'Mono-Frame-Technology'
- Power connection top (either bottom)
- Table height steplessly adjustable
- Table top front hinged by 270 °, removable
- Wear-free, energy saving direct-drive-motors
- Low maintenance and low wear strap arch
- Many specific options available, easily configurable

SMB NEO-VP



TECHNICAL SPECIFICATION:

CAPACITY:

Single strap, bundles/minute up to: 55
Depending on arch size and tension force

BUNDLES:

Width in mm: 55
Min.: 55
Max. bundle width depending on arch size
Height in mm: 5
Min.: 5
Max. bundle height depending on arch size (see drawing)
Weight in kg: 30
Max.: 30

STRAP TENSION:

Adjustable with 10 steps
Automatic strap tensioning
Tension at bundle in N: 325
Max.: 325

PRESS BAR PRESSURE:

max. in N: 3600

STRAPPING MATERIAL:

Polypropylene DIN EN 13 394
Width in mm: 5 - 12
Thickness in mm: 0,4 - 0,65

SEALING METHOD:

Heat seal. Tensile strength of welded joint is approx. 80% of the breaking strength of the strap

STRAP COIL:

Core ID in mm: 200 - 228
Core OD in mm: 420
Width in mm: 160 - 190

POWER SUPPLY:

Wide Range Input 100-240V, 1AC; 47-63 Hz
Maximum fusing 16A (B-character)
Protection Type: IP 22

POWER CONSUMPTION:

Power consumption in kW approx.: 0,2

WEIGHT:

Total weight approx. in kg: 420

OPERATING CONDITIONS:

Temperature range in °C [°F]: +5 [41] - +45 [113]



Signode Packaging Systems GmbH

Markgrafenstraße 2 | D-95497 Goldkronach | Germany
Tel.: +49 (0) 9273 / 982-201 | Fax.: +49 (0) 9273 / 982-100
www.smb.biz | sales@smb.biz

